

SET LAUFEN PRO A

Countertop basin

81395.8



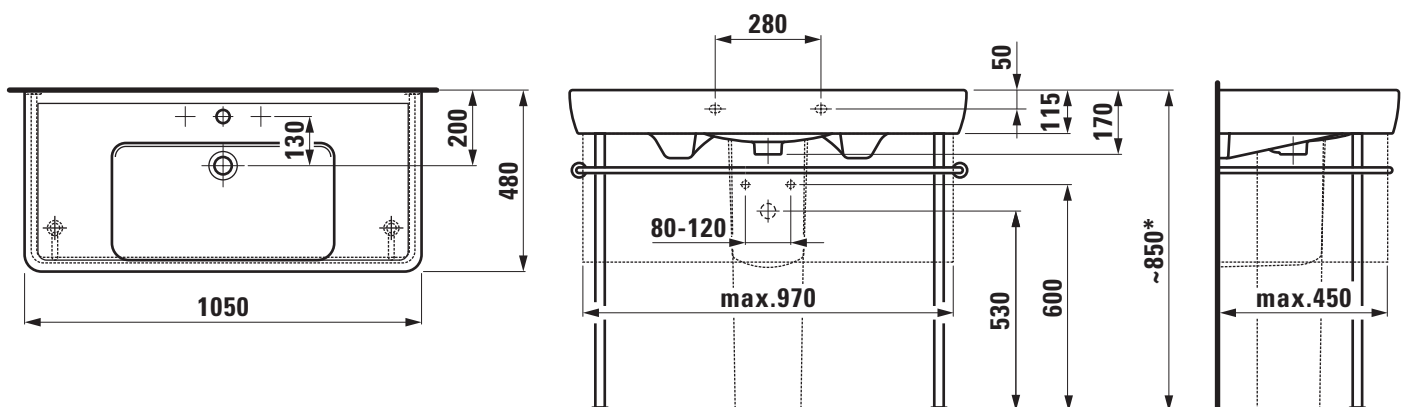
TECHNICAL DATA

Order no.	81395.8
Certified to	EN 31
Dimensions	1050 x 480 mm
Inside dimensions of the basin	590 x 310 mm
Specification	Charge 104 – 1 centre tap hole
Special specification	Charge 108 – 3 tap holes Charge 109 – without tap hole
Weight	28,0 kg
Accessories excl.	Siphon cover, order no. 81995.1 Pedestal, order no. 81995.0 Washbasin base, order no. 89095.8
Mounting acc. excl.	Mounting set M10 x 140 mm, order no. 89988.2
Colours	see colour table

SPECIFICATION TEXT

Countertop basin LAUFEN PRO A, sanitary ceramic
EN 31
dimensions 1050 x 480 mm, angular
1 centre tap hole
Special feature: overflow channel glazed, integrated shelves
Further options / accessories: Surface refinement LCC (only white),
3 tap holes, without tap holes, siphon cover, pedestal, washbasin base,
bathtubs, furniture
Order no. 81395.8

TECHNICAL DRAWINGS / S 1 : 20



* = Effective height must be fixed according to the height of the pedestal.